

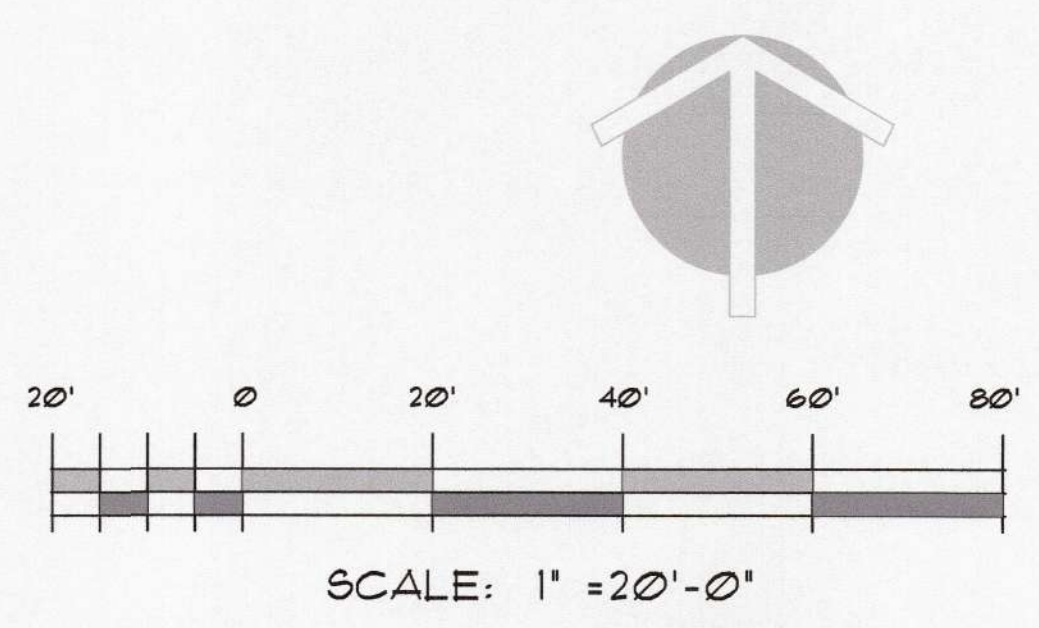
SITE PLAN:
New York State Route 52
(A.K.A. Main Street)

1 AREA OF STUDY
 8L-1 SCALE: 1" = 20'-0"

SITE PLAN DATA DERIVED FROM
 PLAN BY
 GREGORY CACCIOPOLI, P.E.
 441 CENTRAL PARK AVE., SUITE 1238
 SCARSDALE, NY 10583
 914-689-0220
 DATED 12/4/24

PARKING TOTAL:

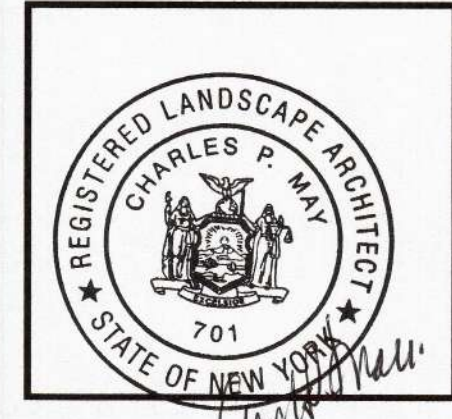
992 ROUTE 52	102 SPACES
1004 ROUTE 52	120 SPACES
TOTAL:	222 SPACES



STATE LAW PROHIBITS ANY PERSON FROM ALTERING ANYTHING ON THIS DRAWING AND/OR THE ACCOMPANYING SPECIFICATION, UNLESS IT IS UNDER THE DIRECTION OF A LICENSED PROFESSIONAL WHERE SUCH ALTERATIONS ARE MADE THE LICENSED PROFESSIONAL MUST SIGN, SEAL, DATE, AND DESCRIBE THE FULL EXTENT OF THE ALTERATION ON THE DRAWING AND/OR IN THE SPECIFICATION.

NO.	DATE	BY	DESCRIPTION

CHARLES P. MAY & ASSOCIATES, P.C.
DESIGN PROFESSIONALS
 387 Windsor Highway □ 1073 Main Street, Suite 203
 Fishkill, New York 12524
 New Windsor, New York 12553
 Phone: 845-896-6666
 Email: charp@cpmay.com Website: www.charpengineers.com



TRADICIONEZ LATIN CUISINE
 1004 MAIN STREET SUITE 1 & 2
 VILLAGE OF FISHKILL
 DUTCHESS COUNTY, NEW YORK
 PARCEL NO: 61B5-01-696843

DATE	DRAWN	CHECKED
4/2/25	JDC	CFM

SCALE: 1" = 20'-0"
 SHEET TITLE
 SITE PLAN

PROJECT NUMBER
 2024-15
SP-1
 DRAWING NUMBER
 SHEET 2 OF 5